

Inline Sconce MLC48IKSS3DK Specification Sheet

FEATURES

- Seamless, flush aesthetic
- Designed for easy installation as a standalone vertical sconce
- Provides warm task lighting
- Dimmable when paired with a compatible residential dimmer
- Dimmable LED lighting to 1%
- Energy efficient LEDs with an estimated life of 53,000 hours:

Color Temperature (Kelvin)	3000K
CRI	90+
R9 Value	80+
Source Lumens	1991
Delivered Lumens	784

MATERIALS & CONSTRUCTION

- Rust free anodized aluminum and glass construction
- Anodized aluminum base structure
- Quality polished edge mirror finish
- Built-in diffuser delivers consistent, even light output
- Fully encased construction eliminates visibly exposed LEDs and electrical components
- Wired internally - Front access serviceability
- Requires compatible switch or dimmer (sold separately)

CODES & STANDARDS

Certified for damp locations to:

- UL 8750
- CSA C22.2 No. 250.13
- Title 24 Certified

DIMENSIONS

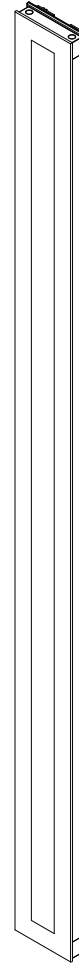
- Width: 3-1/2" (89 mm)
- Height: 48" (1219 mm)
- Depth: 1-1/4" (32 mm)

MORE INFORMATION

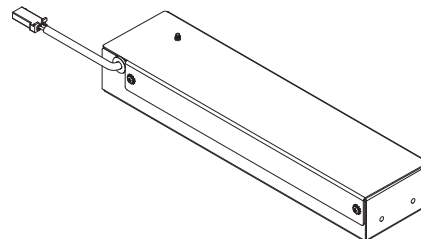


Scan the QR code to see the rough opening and electrical details found in the Dimmable Inline Sconce installation instructions.

Use the camera app on your mobile device to look at this QR code. This will allow you to quickly access web pages and other relevant documents.



Included Electrical Enclosure (Power Supply):



MODEL NUMBER KEY

	WIDTH	HEIGHT	DESIGN	QTY OF LIGHTS	BODY COLOR	COLOR TEMP	LED Engine
ML	C = 3-1/2"	48 = 48"	I = Inline	KS = Single Light	S = Silver	3 = 3000K	DK = Dimmable

OPTIONS

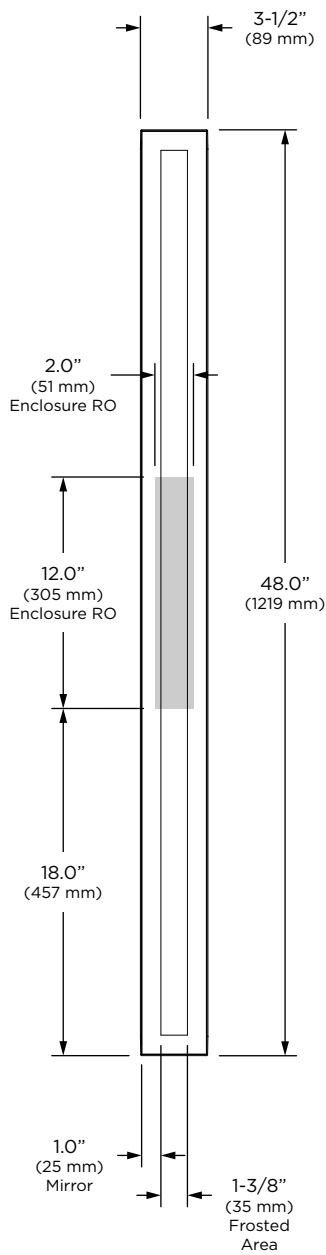
- Other heights / LED engine / mounting options available

ELECTRICAL SYSTEM

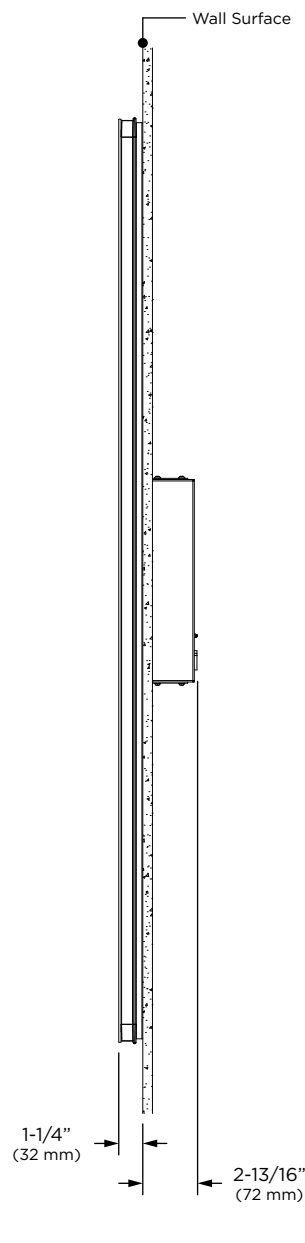
- Operates on 120VAC 60Hz @ 0.9A Max per Power Supply
- Requires compatible switch or dimmer (sold separately)

INSTALLATION OPTIONS

- Remote Power Supply Accessories (sold separately):
 - 15' (4.6 m) DC Cable Extension - RPS-EXTEND15
 - 30' (9.1 m) DC Cable Extension - RPS-EXTEND30
- **Electrical Enclosure Rough Opening:**
2.0" (51 mm) W x 12.0" (305 mm) H



Front View



Side View